



SPECIFICATIONS

MODEL DT 850 DB

UNDERMOUNT TYPE

GENERAL

Fine quality sink bowls formed of 19 gauge BA 304 18/10 nickel bearing stainless steel.

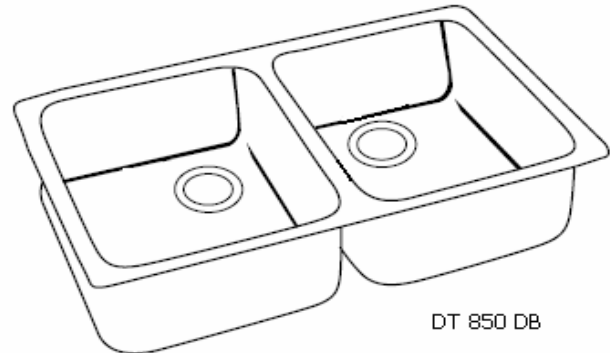
DESIGN FEATURES

Bowl Depth: 8"

Finish: Soft Satin Finish

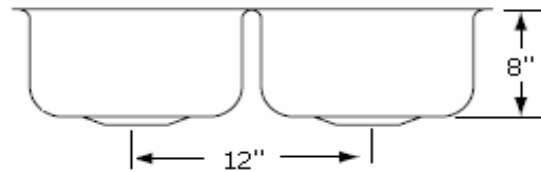
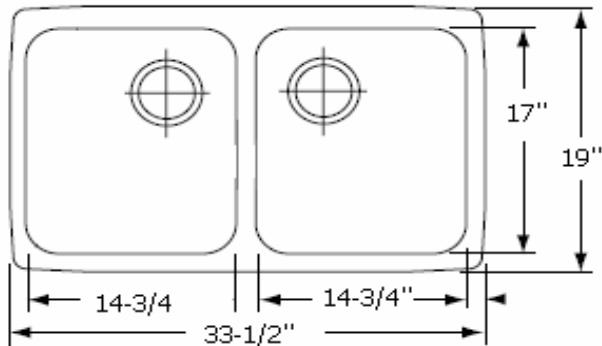
Underside: Sound absorbing pads and special paint applied to dampen sound

Drain Opening: 3-1/2" - 3-1/2"



DT 850 DB

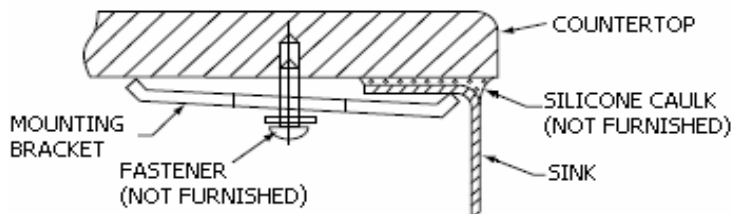
SINK DIMENSIONS (INCHES)



Minimum Cabinet Size
Ship Weight

36"
16 Lbs.

INSTALLATION PROFILE*



Ukinox reserves the right to change product specifications without notice.

Printed in USA © 2007 Ukinox