



SPECIFICATIONS

MODEL D 376 50.50

UNDERMOUNT TYPE

GENERAL

Fine quality sink bowls formed of 18 gauge BA 304 18/10 nickel bearing stainless steel.

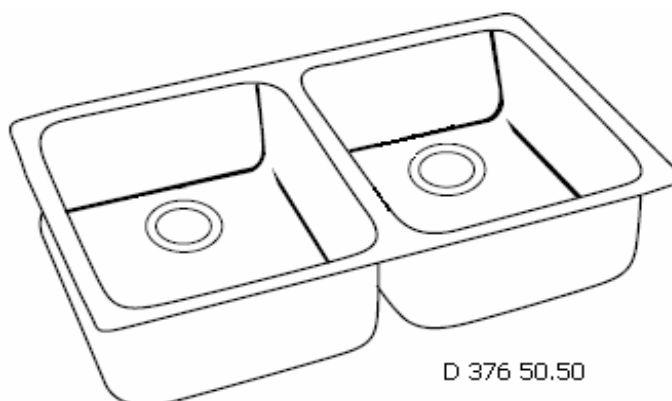
DESIGN FEATURES

Bowl Depth: 8"

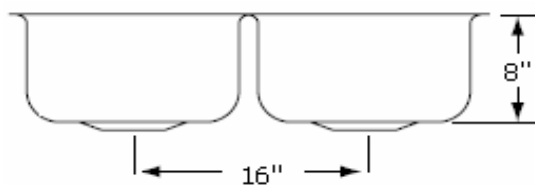
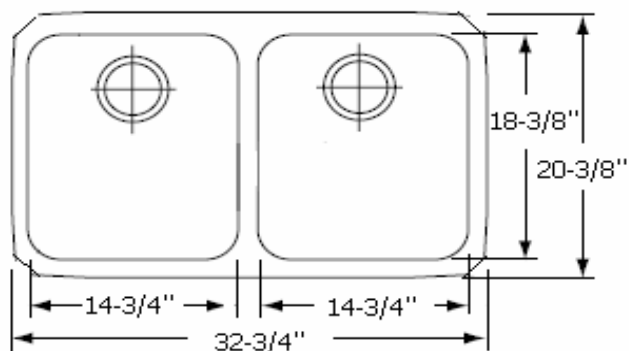
Finish: Soft Satin Finish

Underside: Sound absorbing pads and special paint applied to dampen sound

Drain Opening: 3-1/2" - 3-1/2"



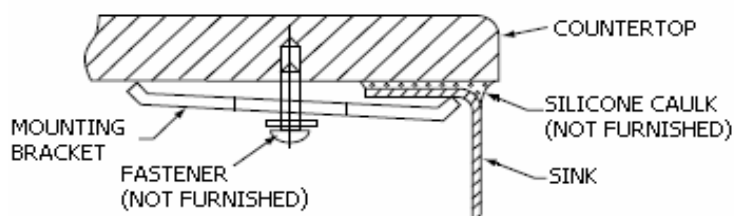
SINK DIMENSIONS (INCHES)



Minimum Cabinet Size 36"

Ship Weight 20 Lbs.

INSTALLATION PROFILE*



Ukinox reserves the right to change product specifications without notice.

Printed in USA © 2007 Ukinox